

Cavaletti®

CADEIRAS PROFISSIONAIS



Cavaletti Air



Cavaletti Air

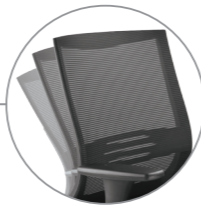
The products of the Air line adapt to the human forms and needs. With adjustments designed for excellent ergonomics and comfort for intensive use, Air products offer individual settings options such as lumbar support height and seat depth, which greatly extend the support and the body support areas, adapting in accordance with the physical constitution of each user.

CHARACTERISTICS



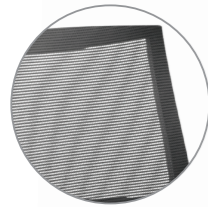
ACCESSORIES

Adjustable Lumbar Support integrated into the back support, which allows vertical adjustment of 50 mm. Better base support for the spine.



MECHANISM

Synchron 2.1: Synchronized movement between seat and back support with 4 treatment positions or free floating.



BACKREST

High strength injected plastic structure and mesh support. Available in Black and Grey.



ARMS

Swivel models with SL, SL New PU or 2D (all with Side Adjustment option) or 3D Adjustable Arms. Integrated arms on fixed models.



BASES

Aluminum, Nylon or Steel Swivel bases with cover. Suitable finishes for each type of environment. 50mm or 60mm Nylon or PU casters.



SEAT

High performance foam and Polyester fabric with Gas-Lift Height Adjustment and Depth Adjustment option.

CONFIGURATIONS



27001
Swivel Armchair
Synchron RP
Adjustable Lumbar Support
3D Arm
Aluminum Base



27001
Swivel Armchair
Synchron RP
Adjustable Lumbar Support
3D Arm
Nylon Base

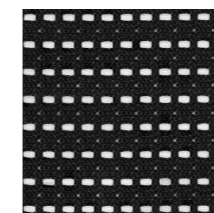


27006 SI
Pull-Up Armchair
SI Structure
Integrated Arms

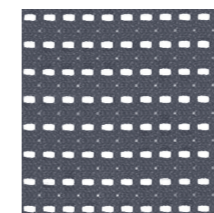


27006 SI
Pull-Up Armchair
SI Structure
Integrated Arms

MESH COLORS

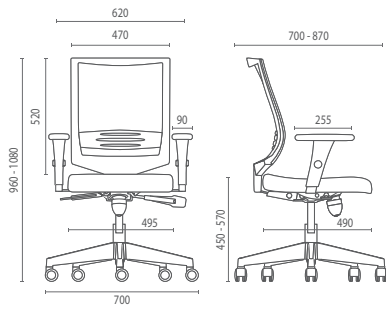


Black

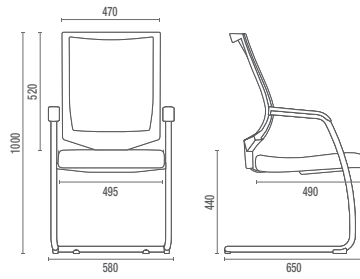


Grey

TECHNICAL DRAWINGS



27001 Swivel Armchair



27006 SI Pull-Up Armchair



Cavaletti - Factory and Showroom
 Rua Dr. Hiram Sampaio, 550
 Erechim/RS Brasil 99.706-530
 Fone/Fax: (54) 3520.4100
 atendimento@cavaletti.com.br
 www.cavaletti.com.br

